

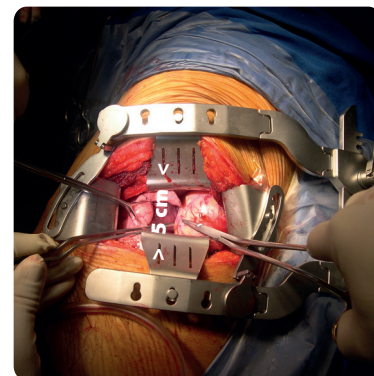
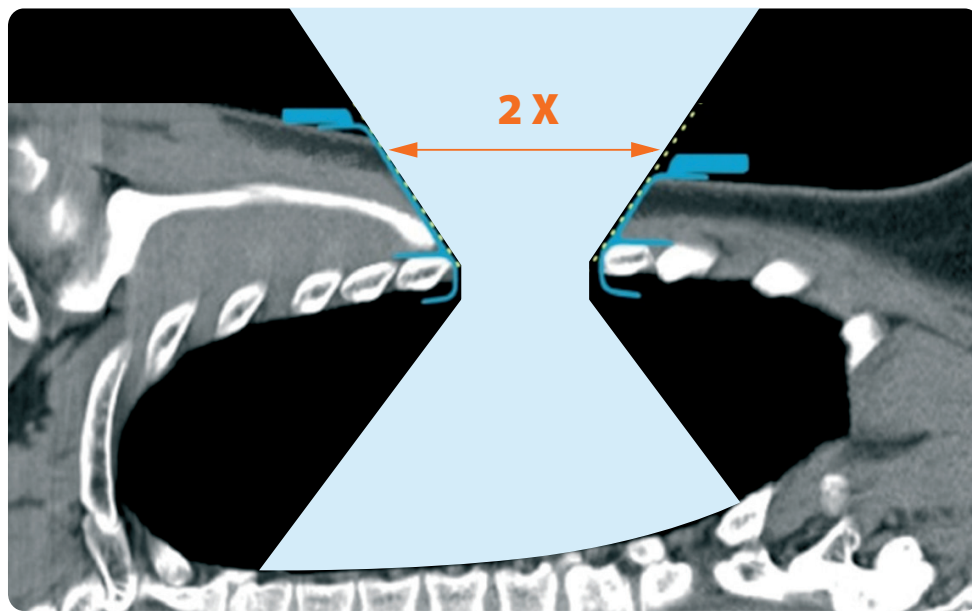


**Thoracic Surgery Through
Muscle-Sparing Thoracotomy**

Dr. Navarro Thoracic Instruments Set

With Navarro Retractor

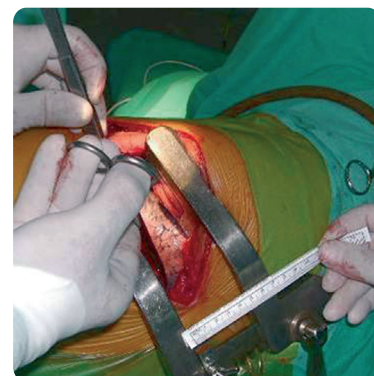
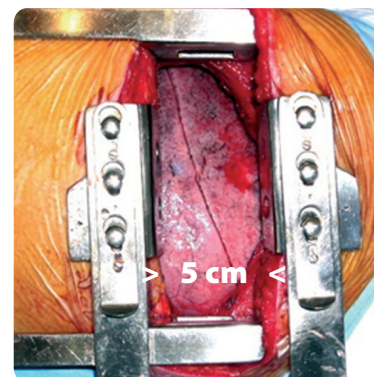
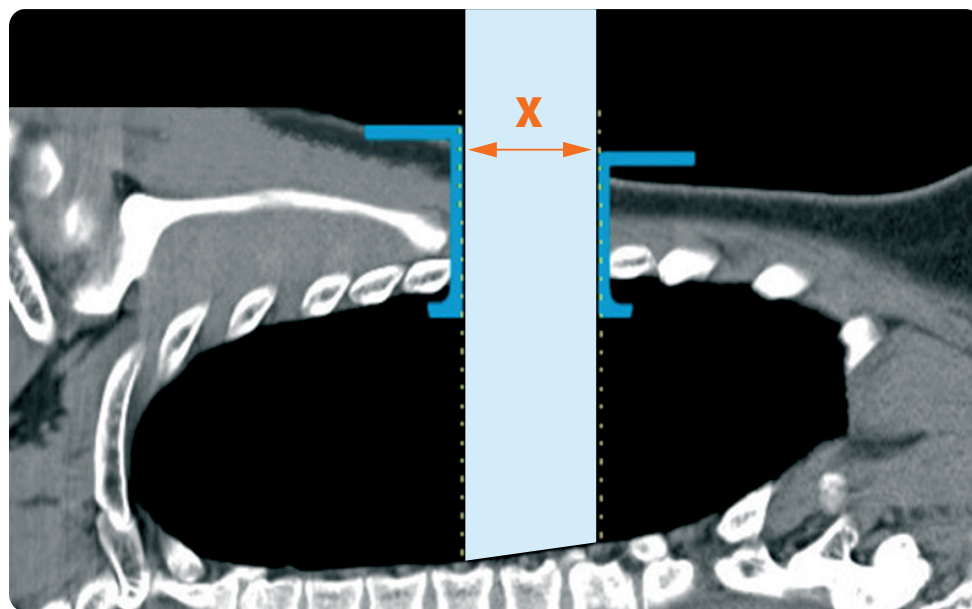
Conical field of vision



- * Double your vision field!
- * Be comfortable at work!
- * Take full advantage of your muscle-sparing thoracotomy!

With Two Standard Finochietto Retractors

Cylindrical field of vision

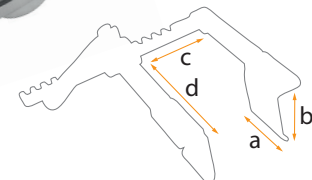
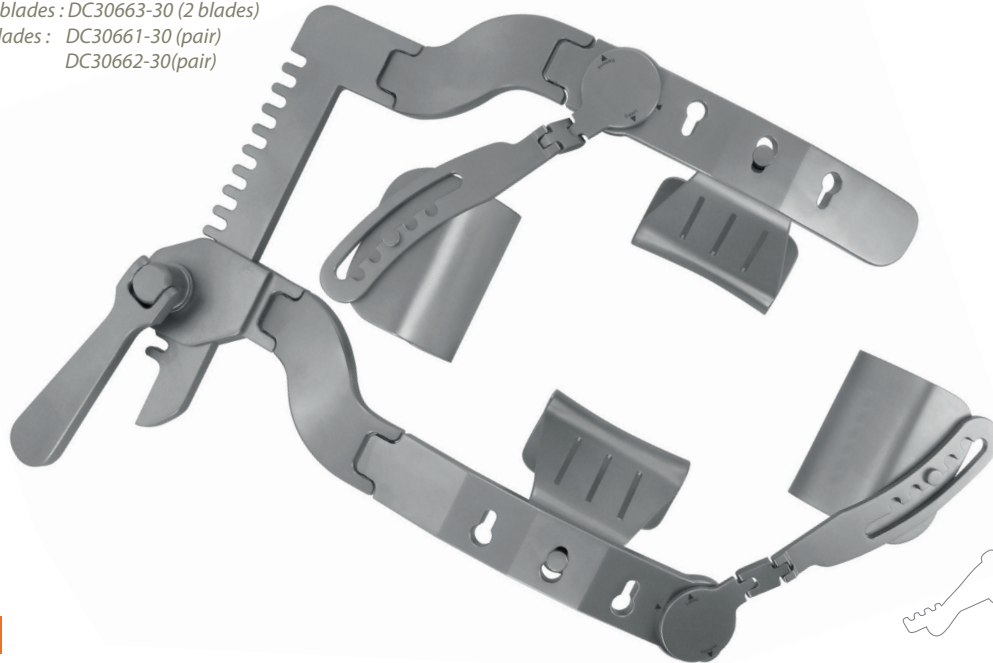


NEW Product

DC30660-00

Navarro Thoracic Retractor

- ✂ New connection for accessory blades : easy removal
- ✂ Included :
 Additional blades : DC30663-30 (2 blades)
 Optional blades : DC30661-30 (pair)
 DC30662-30(pair)

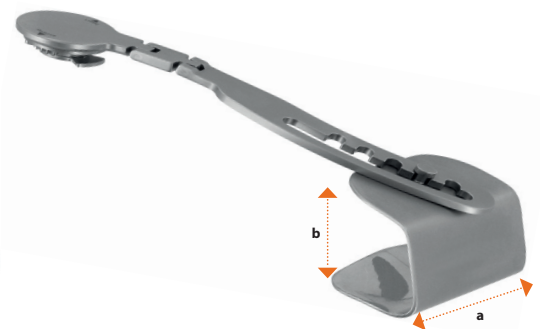
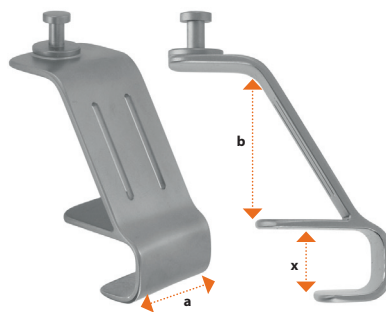
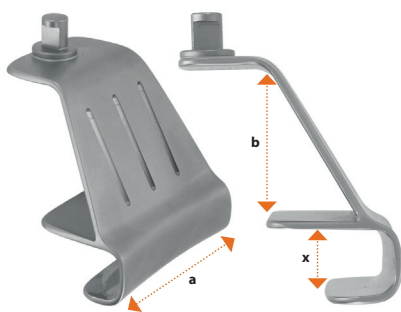


DC30660-00

c : 140 mm - d : 200 mm

Optional blades (pair)

Additional blade (unit)



DC30661-20

a : 55 mm - b : 20 mm - x : 13 mm

DC30662-20

a : 27 mm - b : 20 mm - x : 13 mm

DC30661-30

a : 55 mm - b : 30 mm - x : 13 mm

DC30662-30

a : 27 mm - b : 30 mm - x : 13 mm

DC30661-40

a : 55 mm - b : 40 mm - x : 13 mm

DC30663-30

a : 55 mm - b : 30 mm

DC30664-20

a : 55 mm - b : 20 mm - x : 16 mm

DC30665-20

a : 27 mm - b : 20 mm - x : 16 mm

DC30664-30

a : 55 mm - b : 30 mm - x : 16 mm

DC30665-30

a : 27 mm - b : 30 mm - x : 16 mm

DC30664-40

a : 55 mm - b : 40 mm - x : 16 mm

DC13201-24



+ Bayonet DeBakey Dissecting Forceps - L : 240 mm

- * Improved vision thanks to bayonet shape,
- * 2 mm jaws.



DC22330-23



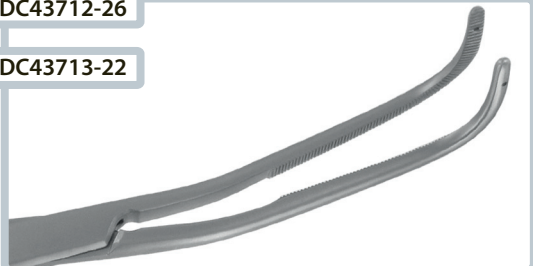
+ Double Curvature Scissors - L : 230 mm

- * Metzenbaum Fino micro serrated blades,
- * Take full advantage of your improved vision field thanks to double curvature.



DC43712-26

DC43713-22



+ Double Angulation Pulmonary Hilum Dissectors - L : 260 mm

- * Be totally at ease thanks to double angulation,
- * Two models :
DC43712-26 - L : 260 mm,
DC43713-22 - L : 220 mm - More delicate.



DC46148-21



+ Curved Duval Forceps - L : 210 mm

- * Keep hands out of your vision field thanks to curvature,
- * 18 mm width jaws prehension Duval forceps.



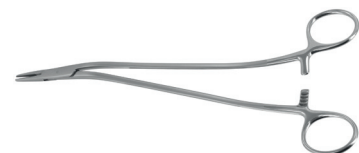
DC51141-23

DC51141-26



+ Double Angulation Needle Holders

- * DeBakey tungstene needle-holders,
- * Be comfortable at work thanks to double angulated shape,
- * Two models :
DC51141-23 - L : 230 mm,
DC51141-26 - L : 260 mm.



DC72603-23



+ Scalpel Blade Holder - L : 235 mm

- * Double angulation scalpel blade handle,
- * For blades 18, 19, 20, 21, 22, 23, 24, 36.

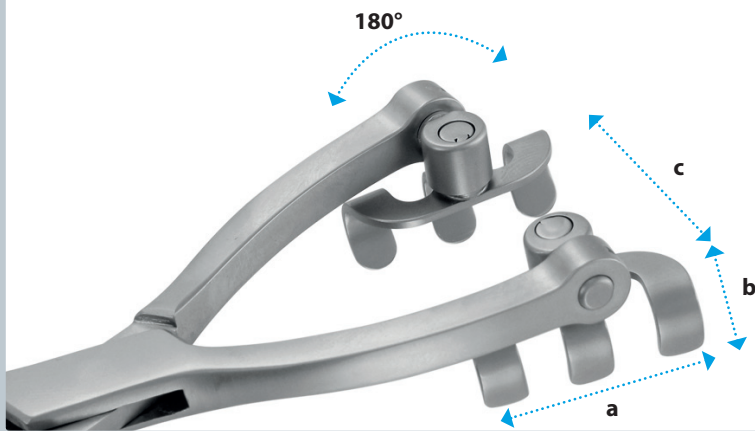
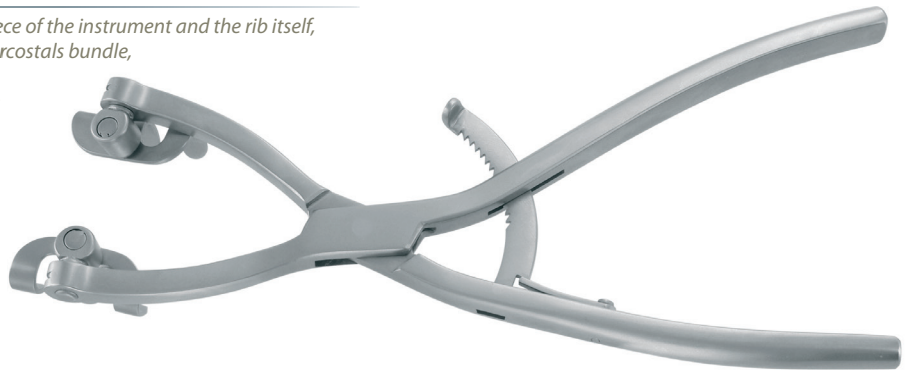


NEW
Product

DC30670-00

Rib Contractor - L : 210 mm

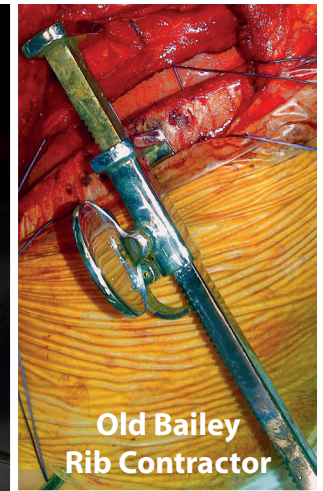
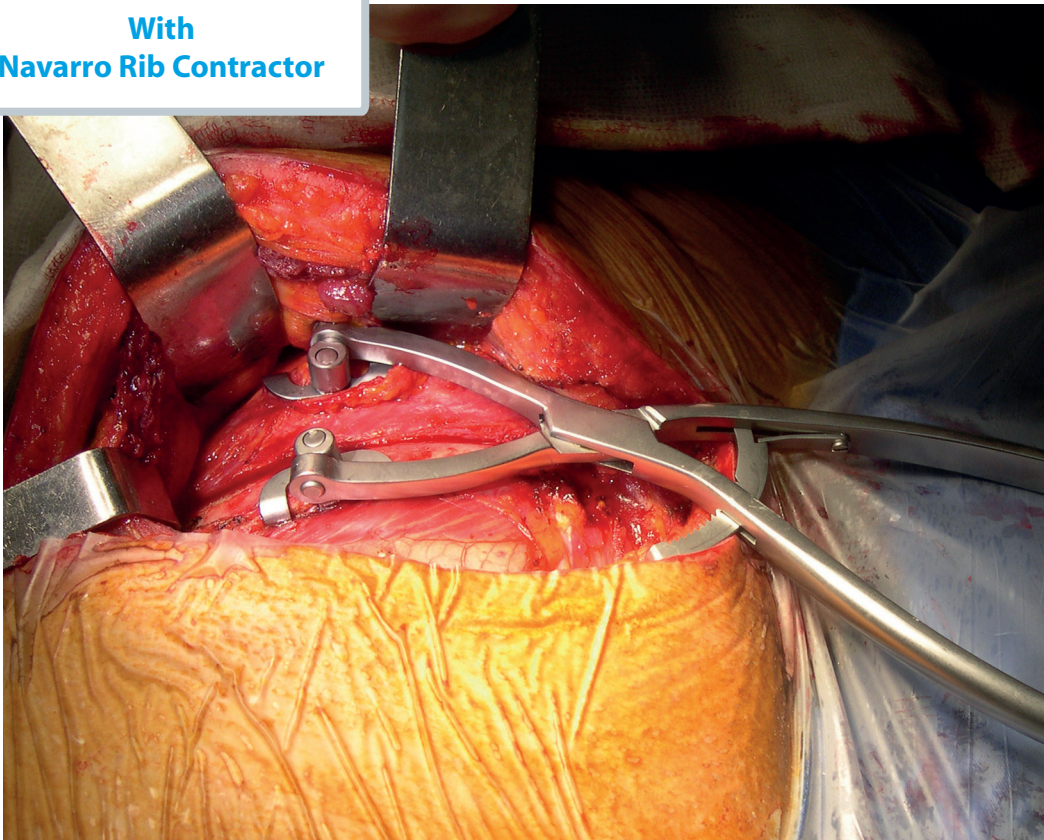
- ✘ Widens the contact length between the rib piece of the instrument and the rib itself,
- ✘ Avoids damage of the neurovascular and intercostals bundle,
- ✘ Makes easier to insert and remove,
- ✘ No interference while tying pericostal sutures: the handle can be moved from one side to the other side of the blades.



DC30670-00

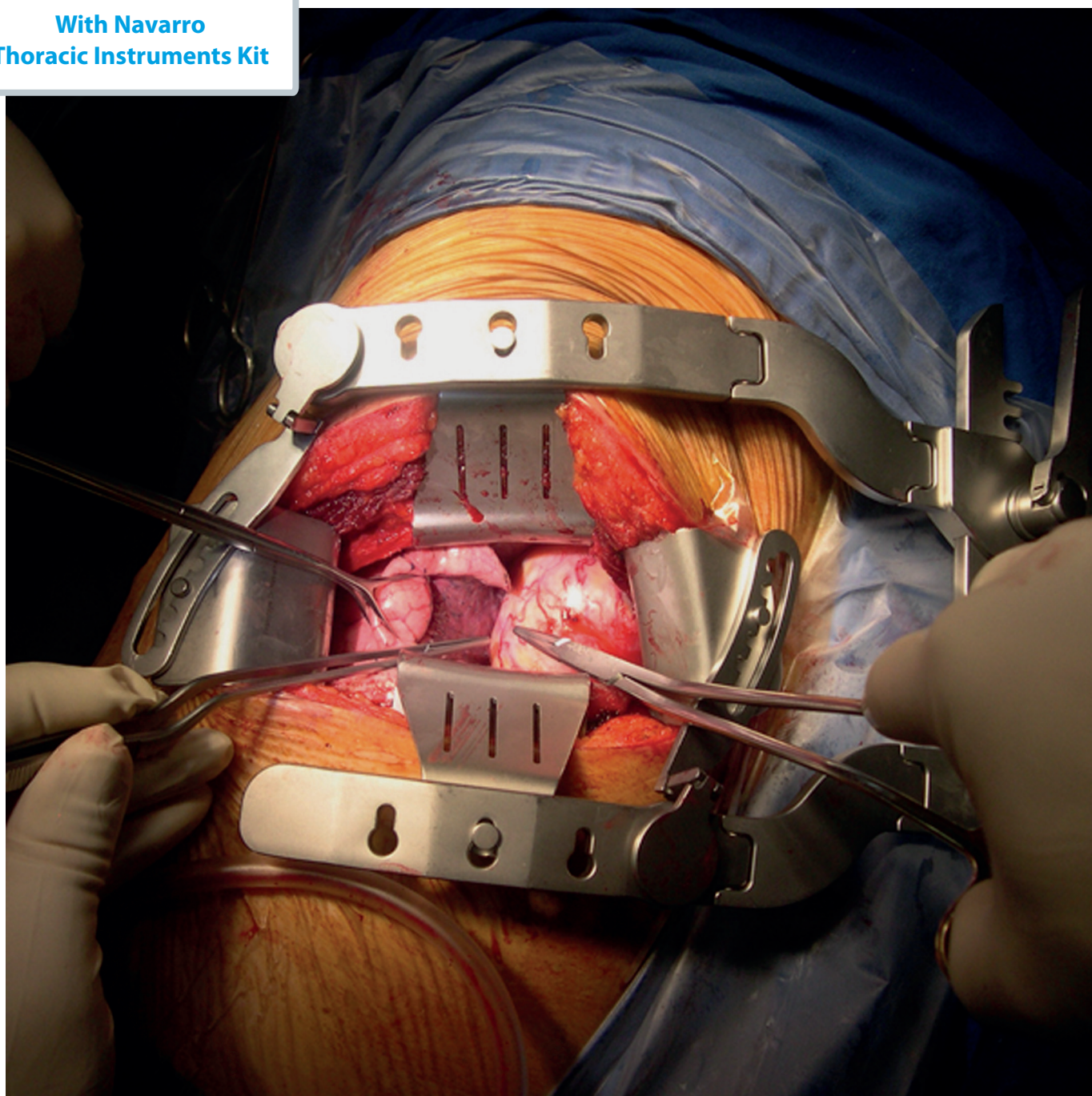
a : 30 mm - b : 15 mm - c : 65 mm

With
Navarro Rib Contractor



Old Bailey
Rib Contractor

With Navarro
Thoracic Instruments Kit



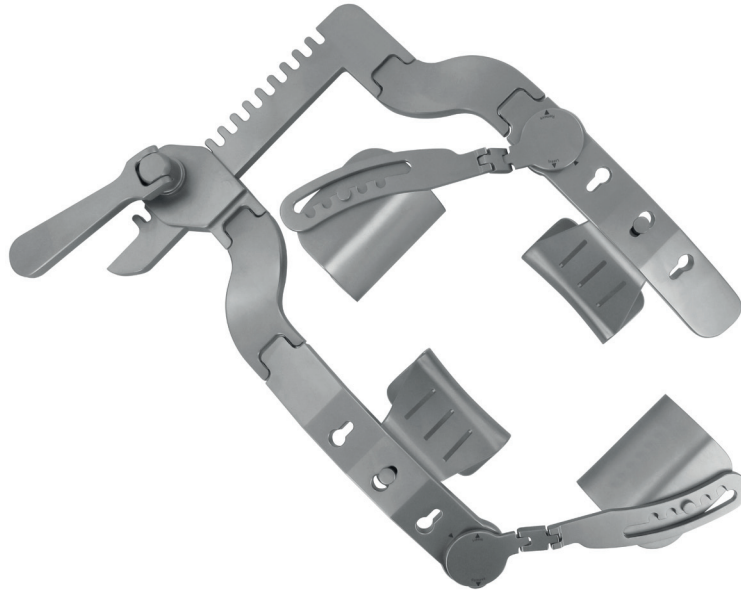
Nothing interferes your vision

« Best tools for open chest procedures! »

« The surgeon can perform the procedure more comfortable. »

– Dr. Navarro –

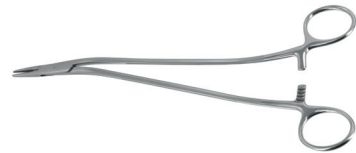
Dr. Navarro Thoracic Instruments Kit



DC30660-00 : Navarro Thoracic Retractor



DC13201-24 : Bayonet DeBakey Dissecting Forceps - L : 240 mm



DC51141-23 : Double Angulation Needle Holders



DC22330-23 : Double Curvature Scissors - L : 230 mm



DC51141-26 : Double Angulation Needle Holders



DC43712-26 : Double Angulation Pulmonary Hilum Dissectors



DC72603-23 : Scalpel Blade Holder - L : 235 mm



DC43713-22 : Double Angulation Pulmonary Hilum Dissectors



DC30670-00 : Rib Contractor - L : 210 mm



DC46148-21 : Curved Duval Forceps - L : 210 mm



Delacroix-Chevalier
Paris

Corporate Office

13. Avenue de la République - 75011 Paris - France

Manufacturing and logistic

Rue Renée et Louis Landanger

52000 Chaumont - France

Phone : +33 (0) 3 25 02 10 35 - Fax : +33 (0) 3 25 02 10 20

Email : export@delacroix-chevalier.com www.delacroix-chevalier.com

© Copyright 2009-2015 / The photos and pictures are not contractual. Patterns are subject to change.

